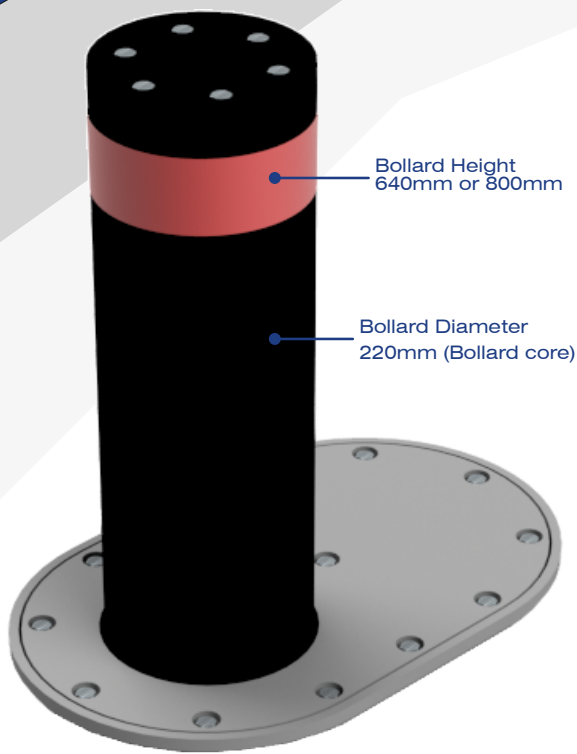


HEALD®

HEAVY DUTY AUTOBOLLARD



Bollard Height
640mm or 800mm

Bollard Diameter
220mm (Bollard core)

The Heavy Duty Auto Bollard is ideal for locations where a more architecturally sensitive security solution is required.

Lying flush with the road surface when at rest, the bollard raises to a height of either 640mm or 800mm at full extension.

Each bollard operates as a separate unit, but can be installed as an array, allowing it to be used to secure an opening of virtually any size. They can also be combined with range of our static bollards such as Sparta, Apex, Matador (Fixed) to secure a large perimeter line.

Raised and lowered by remote push button control, they're also available with Heald's Hydra control and monitoring system. Other access control options are also available.

Available in a range of colours and finishes to integrate with any environment, as well as with reflective banding for high visibility.

Crash Test Results

Tested as an array of 3 to US K8 standards.

Performance Rating

US K8 6800/64(6400mm)



Operation

A HPU motor & gearbox driven mechanism with manual hand-pump for power fail.

240VAC Singled phase, earth & neutral, 50Hz

415VAC Three phase, earth & neutral, 50Hz

Alternatives available to suit site requirements.

Safety Features Available

Induction Loops, Audible Sounder

Operating Speeds

Standard Operation 3 seconds approx

EFO Operation 1.5 seconds approx

Options

Emergency Fast Operation (EFO), Anti-slip coating, Various Access Control options, 2way Ring Traffic Lights.

Please contact for further details:

01964 535858

www.heald.uk.com

sales@heald.uk.com

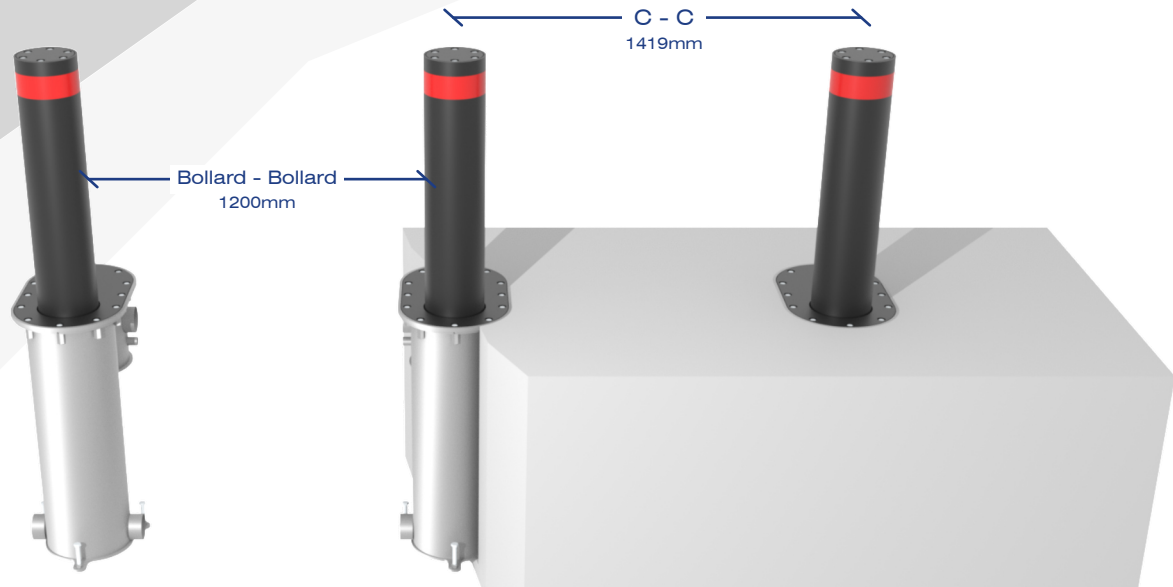
© Heald Ltd 2010

Due to a continuous program of development Heald reserve the right to change specifications at any time.



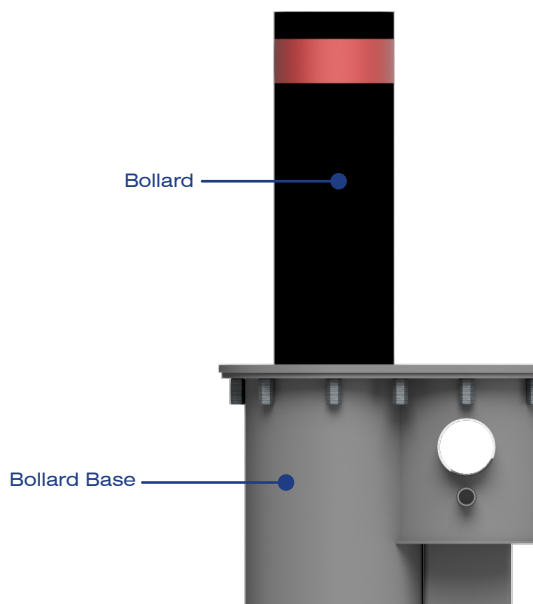
HEALD®

HEAVY DUTY AUTOBOLLARD



Heavy Duty Auto Bollards can be installed in an array of 3 or larger.

Image above illustrates an array of 3.



Bollard Spacing

Bollards must be spaced at 1200mm (Maximum)

Standard Finish

Galvanised and Painted (Other colours available upon request)

Axle Loadings

15 tonnes per axle (up to 90 tonnes for a 6 axle vehicle).

Base Depth / Excavation Depth

640 bollard - 980mm base
 640 bollard - 1100mm excavation
 800 bollard - 1140mm base
 800 bollard - 1260mm excavation

Foundation Details

Please refer to/request an installation drawing.

Please contact for further details:

01964 535858
www.heald.uk.com
sales@heald.uk.com
 © Heald Ltd 2010

Due to a continuous program of development Heald reserve the right to change specifications at any time.

